



sun'lit
 ['sən,lɪt]
 ADJECTIVE
 illuminated by direct light from the sun

SUN-LIT Power

Renewable energy in a box

Solar Landscape Series

Sometimes new innovations just make sense and that is indeed the case with the new solar power system for outdoor landscape lighting from **SUN.LIT Power**.

The simple yet powerful and reliable system offer an enviromental friendly, sustainable power solution. Each day the sun's solar radiation is captured by the advanced monocrystalline solar panel. The solar panel converts the sun's energy to 12VDC which then **SUN.LIT** converts to a landscape lighting friendly 12VAC supply for all your exterior lighting and power needs.

Advanced storage cells maintain operational performance for years of trouble-free and maintenance free power.



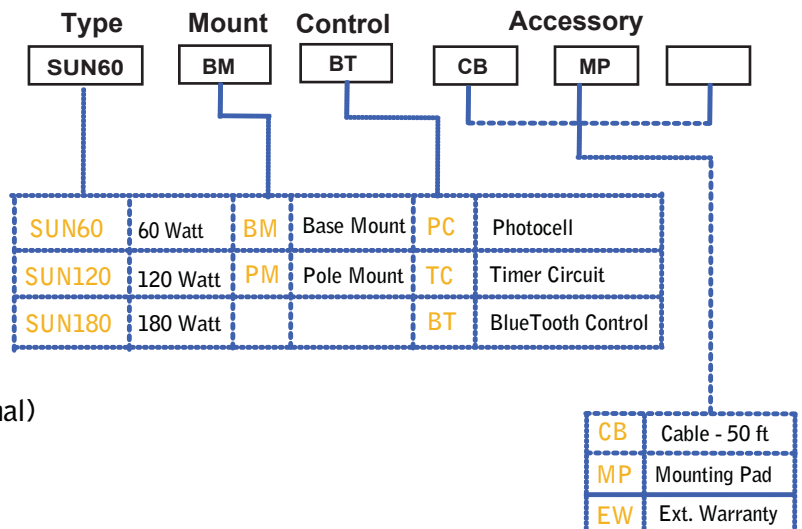
FEATURES

- Monocrystalline high efficiency solar panel
- High-performance deep-cycle power cells
- Optional photocell or time clock
- Example: Estimated Run-Time for SUN100

Load	Run-Time
60 Watts	10 hrs.
80 Watts	8 hrs.
100 Watts	6 hrs.

- Standby energy capacity, three days
- Blue-Tooth enabled control and scheduling (optional)
- Three-year warranty - Made in the USA

ORDERING INFORMATION





Renewable energy in a box

sun'lit

['sʌn,lɪt]

ADJECTIVE

illuminated by direct light from the sun

Specifications



Front View Dimensions

Base 14 in. x 14 in.

Panel 24 in. wide

Weight: 38 lbs.

Enclosure: Fiberglass Weatherproof NEMA

Stainless Steel Latches

Two Deep Cycle: 70Amp-Hrs

Three Year Battery Warranty



1 2 3

Side View Dimensions

Base 14 in.

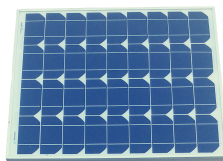
Panel 21 in. wide

Power Cables

1 - Solar Input

2 - Power Feed: 12vac, 60 W Output

3 - Power Feed: 12vac, 60 W Output



Optional Panel Pole Mount

Dimensions

Pole: 48 in. tall

Panel: 24 in. wide x 21 in. deep



Pole Mount Bracket